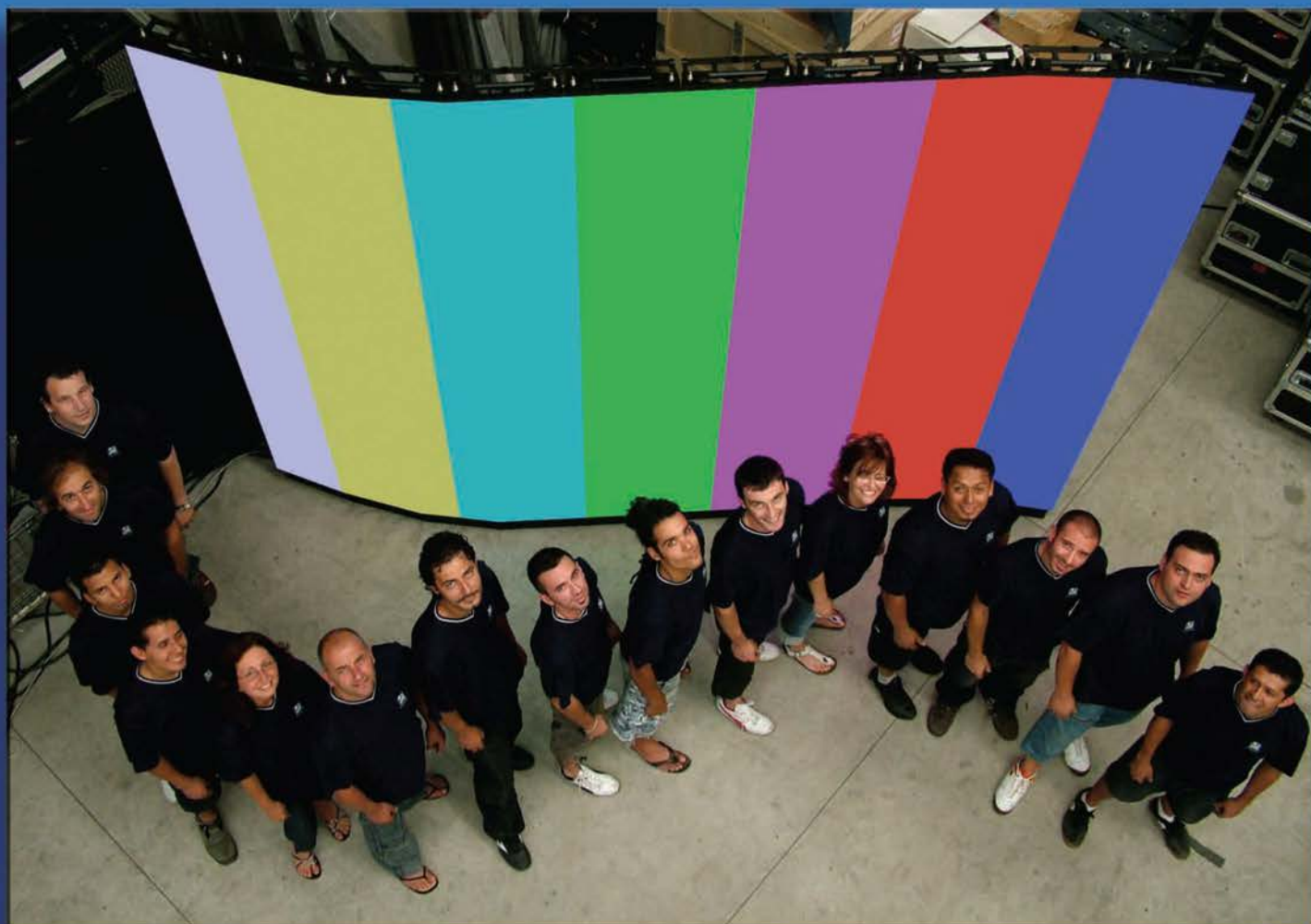


# THE EASY GUIDE to 6mm LED SCREEN

## TOSHIBA

*TOSHIBA Led 6 mm*



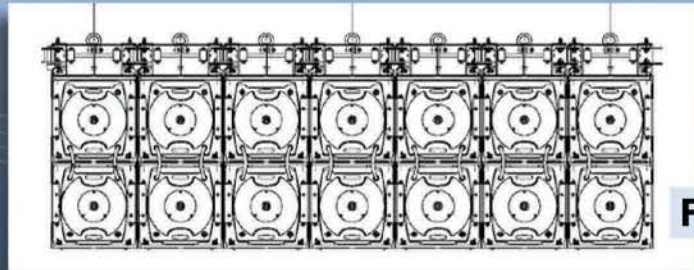
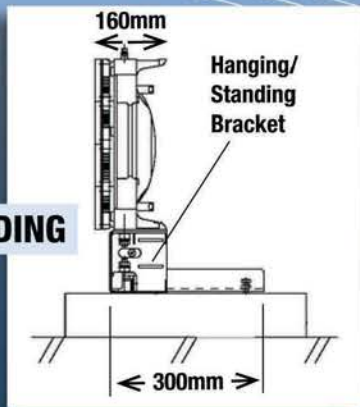


# POSSIBLE SCREEN SIZE EXAMPLES

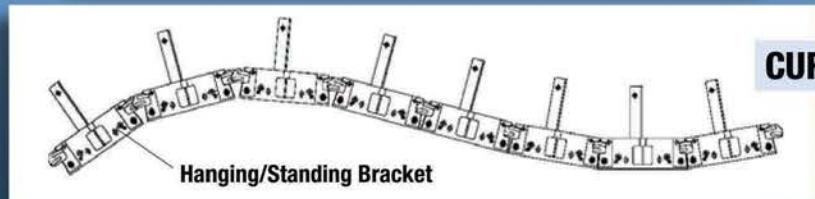
Number Of Modules H x V	Total Modules	Aspect Ratio	Screen Area		Dimension				Pixels H x V		Weight		Power
			(m <sup>2</sup> )	(ft <sup>2</sup> )	H x V (mm)		H x V (ft)				Kg	lb	Max (W)
1	1	1:1	0.15	1.6	384	384	1.25	1.25	64	64	9	20	230
4	3	4:3	1.77	19	1536	1152	5.04	3.78	256	192	108	238.4	2,760
5	4	20	2.95	31.7	1920	1536	6.3	5.04	320	256	180	397.4	4,600
8	6	48	7.08	76.2	3072	2304	10.08	7.56	512	384	432	953.6	11,040
10	7	70	10.32	111.1	3840	2688	12.6	8.82	640	448	630	1390.7	16,100
12	9	108	15.93	171.4	4608	3456	15.12	11.34	768	576	972	2145.7	24,840
16	12	192	28.31	304.7	6144	4608	20.16	15.12	1,024	768	1728	3814.6	44,160
20	15	300	44.24	476.2	7680	5760	25.2	18.9	1,280	960	2700	5960.3	69,000
5	3	15	2.21	23.8	1920	1152	6.3	3.78	320	192	135	298	3,450
7	4	28	4.13	44.4	2688	1536	8.82	5.04	448	256	252	556.3	6,440
9	5	45	6.64	71.4	3456	1920	11.34	6.3	576	320	405	894	10,350
11	6	66	9.73	104.8	4224	2304	13.86	7.56	704	384	594	1311.3	15,180
14	8	112	16.52	177.8	5376	3072	17.64	10.08	896	512	1008	2225.2	25,760
18	10	180	26.54	285.7	6912	3840	22.68	12.6	1,152	640	1620	3576.2	41,400
20	11	220	32.44	349.2	7680	4224	25.2	13.86	1,280	704	1980	4370.9	50,600

## RIGGING

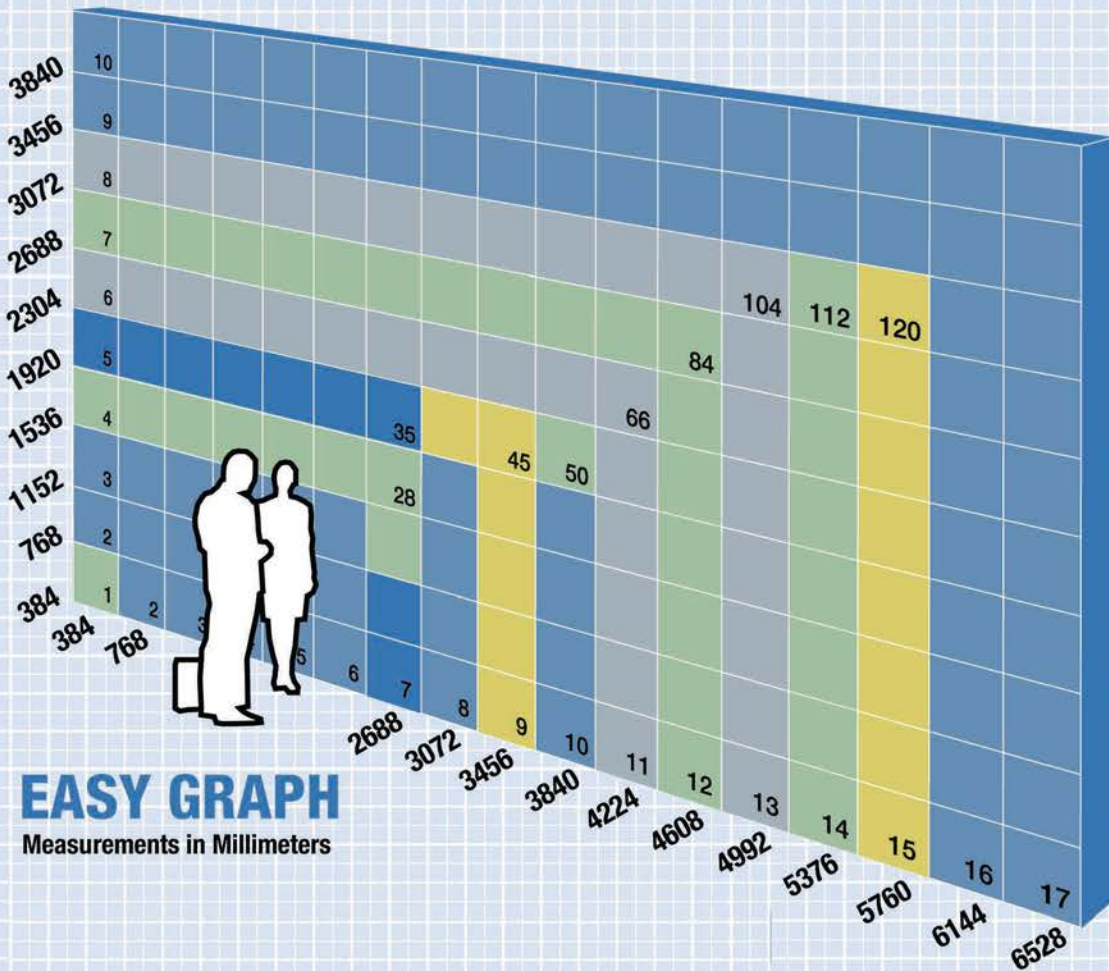
**STANDING**



**FLOWN**



**CURVED**



**Concave**



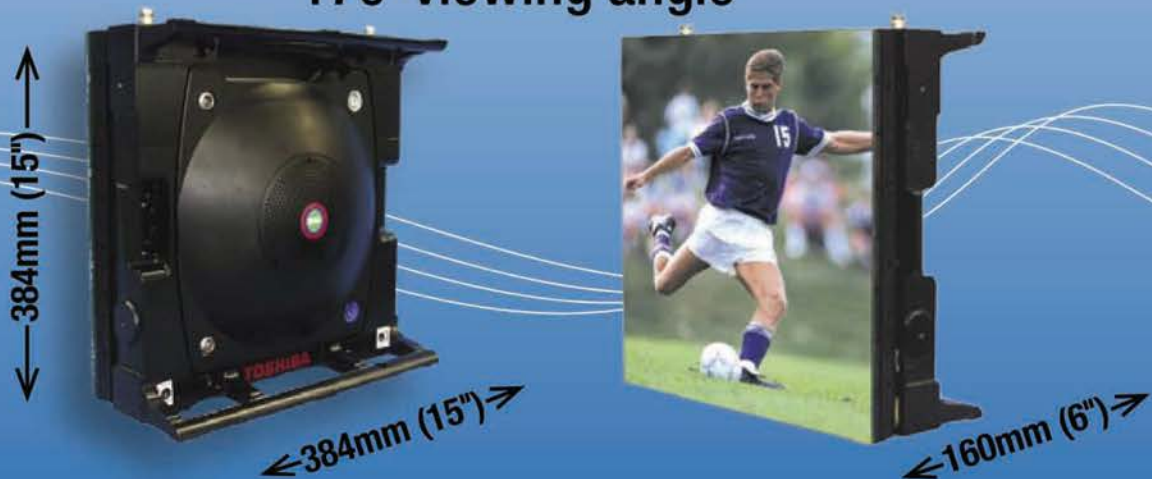
**Convex**





# CURVABLE LED DISPLAY

- Purpose designed to create maximum impact indoors
  - Curved / Portable / Modular / Lightweight
- Upto 20 Degrees Concave / 10 Degrees Convex
  - 6mm pixels for brilliant and vivid colour with 170° viewing angle



## Module Specifications

<b>LED Pixels</b>	6mm pitch Surface-Mount Display type LEDs
<b>Brightness</b>	2,400 cd/m2
<b>Display Colours</b>	Over 1 billion colours
<b>Image Depth</b>	Approximately 1,024 steps 10 bit minimum
<b>Viewing angle</b>	170 degrees
<b>Pixel Number</b>	64 (H) x 64(V)
<b>Display Size</b>	384mm x 384mm (15 inches x 15 inches)
<b>Weight</b>	9Kg (20lb)
<b>Power Consumption</b>	230 Watt (MAX)
<b>Power Supply</b>	AC100V-240V single phase
<b>Curved</b>	20 degrees concave / 10 degrees convex Option: Flat Frame
<b>Input</b>	SDI 625PAL 525NTSC HDSDI 1080/720 DVI upto 1920 X 1080